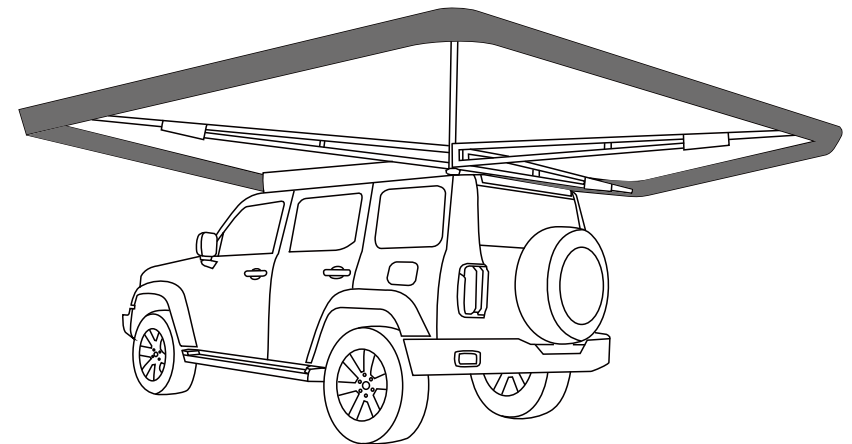


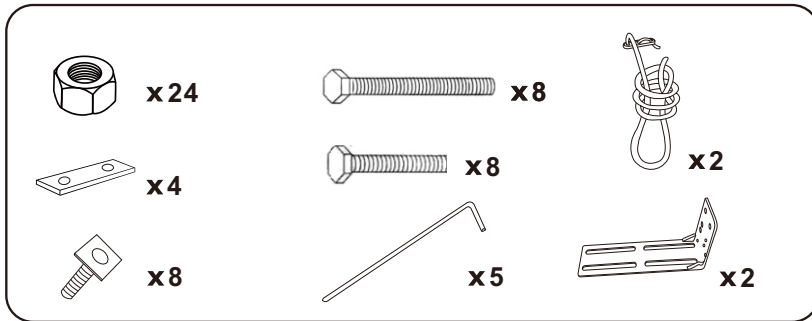


INSTRUCTIONS 



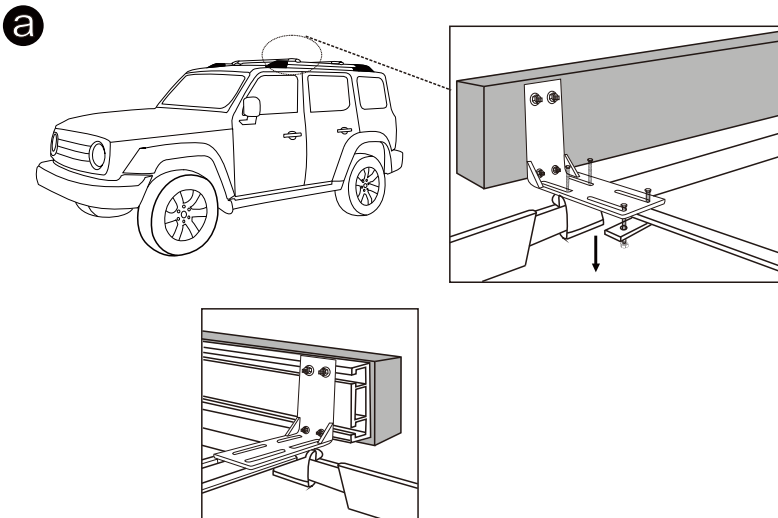
270 Degree Awning

1. Accessories



2. Correct Installation

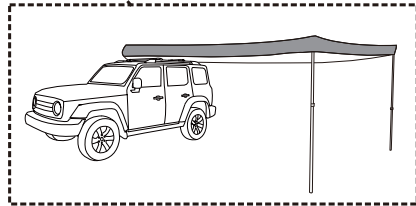
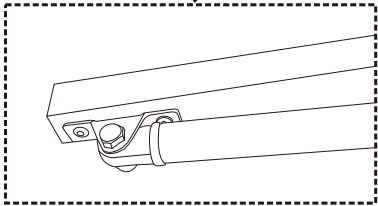
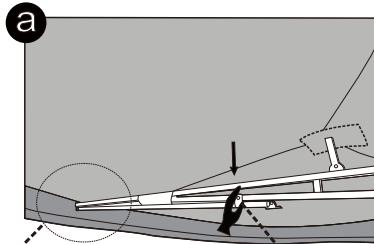
OPTION 1: MOUNTING DIRECTLY TO A CROSS BAR



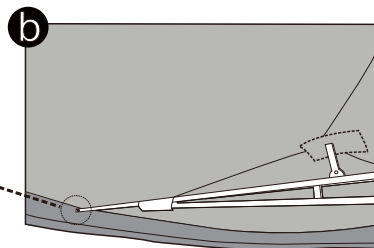
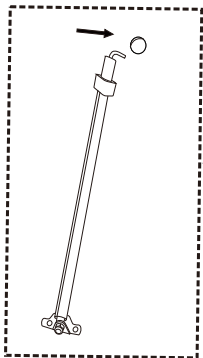
⚠ SAFETY WARNING ⚠

- DO NOT ATTEMPT TO SETUP AWNING IN WINDY CONDITIONS OR EXTREME WEATHER EVENTS.
- ALL GUY ROPES MUST BE ATTACHED AND PEGGED TO THE GROUND AT ALL TIMES.
- ALL VERTICAL POLES MUST BE PEGGED TO THE GROUND AT ALL TIMES.
- GUY ROPES ARE TRIP HAZARDS IN THE DAY AND NIGHT.
- KEEP HANDS AWAY FROM PIVOTING MECHANISMS WHEN SETTING UP OR PACKING UP AWNING.
- KEEP ALL FLAME AND HEAT SOURCES AWAY FROM THE AWNING MATERIALS.
- UNDER NO CIRCUMSTANCE SHOULD ANY NAKED FLAME SOURCES OR HEATING DEVICES BE USED UNDER OR NEAR THE AWNING.
- KEEP A LOOK OUT FOR ANY AIRBORNE BURNING EMBERS THAT MAY COME INTO CONTACT WITH THE AWNING.
- DO NOT OPERATE ANY DEVICE WHICH BURNS FUEL INSIDE OF THE AWNING. KEEP EXIT CLEAR.
- THE AWNING CANVAS IS NOT DESIGNED TO SUPPORT ANY WEIGHT.

3. HOW TO USE THE SUPPORT BAR

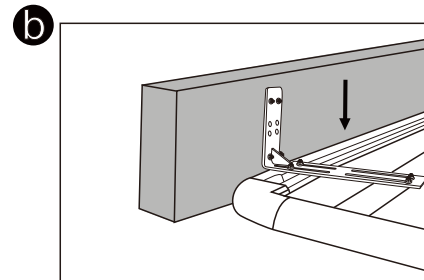
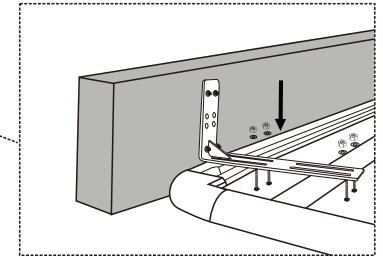
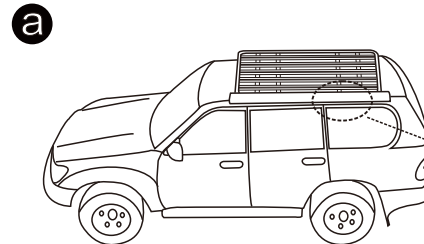


If you need to open the support bar to stable the 270 degree rainfly, it is two support bar fixed to the support arm by velcro, when you release the velcro, the support bars can stand freely.

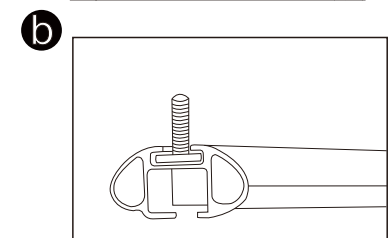
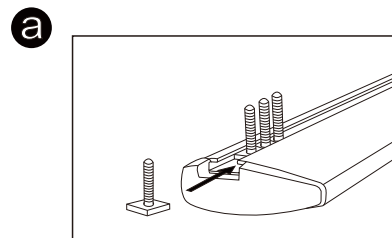
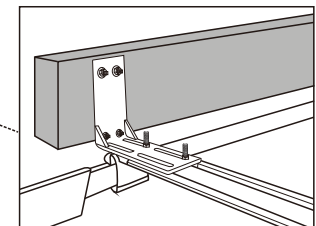
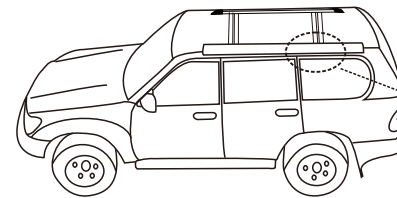


Extra three support bars are taken out of the bag, each with a hook at the top, which is inserted it through the round hole at the top of the three support arms, the support bars can stand freely.

OPTION 2: MOUNTING DIRECTLY TO A ROOF CARRIER



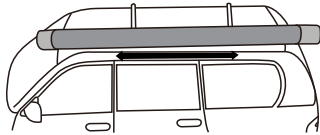
OPTION 3: MOUNTING DIRECTLY TO A ROOF RACK



3. Application Method

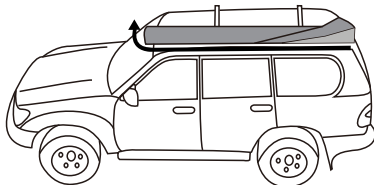
1. HOW TO OPENING THE 270 DEGREE AWNING

a



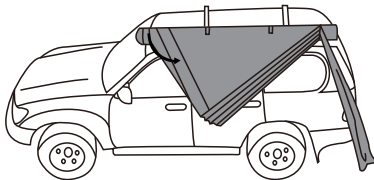
Prior to setting up the 270 degree awning ensure that the vehicle is stationary with the handbrake applied and that the desired awning setup area is suitable and safe.

b



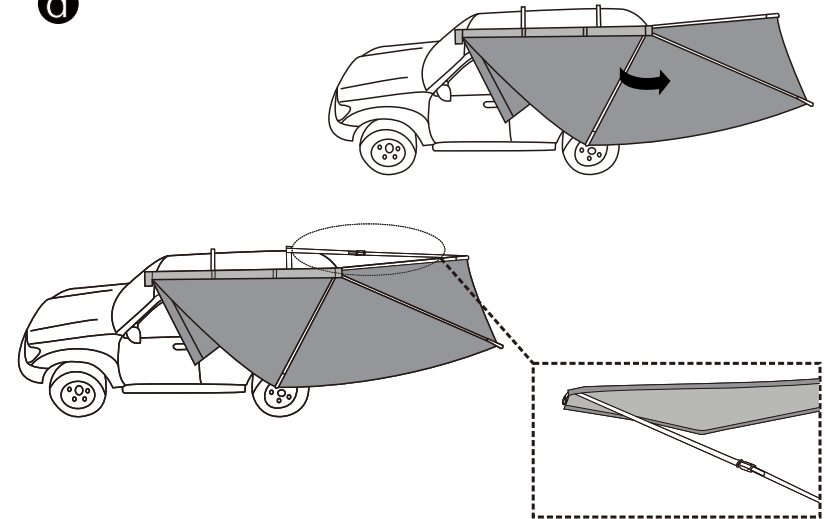
Undo the zipper on the awning bag. Fold the top section of the awning bag over the top of the mounting plate. Allow the bottom section of the awning bag to hang.

c



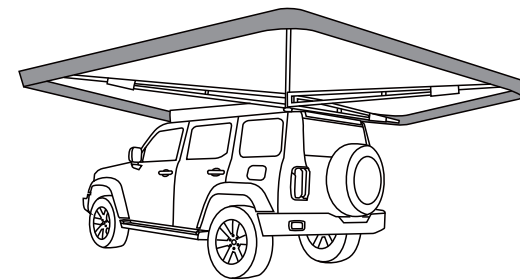
Undo all the Velcro straps, starting from the rear of the awning. Ensure you have support of the awning before undoing the last Velcro strap. Unfold the awning canvas and allow it to hang.

d



Whilst holding the awning poles and the canvas at the front, begin to walk in an arc towards the rear of the vehicle allowing the awning to rotate around the rear pivot. Once the first triangular section of canvas is tight and continue to pull back and pull out a rope and tie it to the top of the in.

f



Finally a 270 degree shape has been formed needn't any support bars to hold it up.