



INSTRUCTIONS 



Aluminum Hybrid Tent

CONTENT

1. Instruction.....	1
2. Accessories	2
3. Application Method.....	3

1. Instructions

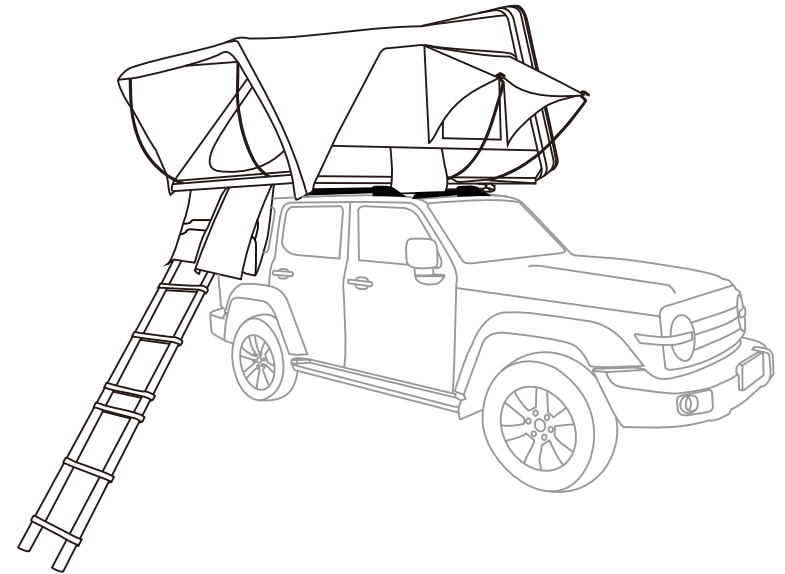
MOUNTING THE ROOF TENT ON YOUR VEHICLE

WARNING!

- ❑ If you have any back, knee or any other health complications, do NOT attempt to mount the Skycamp on your vehicle.
- ❑ Your vehicle **MUST** have a roof rack or cross bars installed in order to mount the Skycamp.
- ❑ The cross bars **MUST** have a dynamic weight load of at least 165lbs (75kgs) and **MUST** be at least 30” (76cm) apart.
- ❑ If you are unsure of the mounting process or have any questions, contact

It is easiest to mount the Skycamp from the side of your vehicle, not from the front or the back.

1. Have two people stand at the front of the Skycamp, and two people at the back.
2. Grab the panel on the bottom of the Skycamp and lift up to your waist.
3. Lift the Skycamp up to your shoulders, and then above your head.
4. Gently slide the Skycamp onto your cross bars.
5. Make sure the Skycamp is centered.



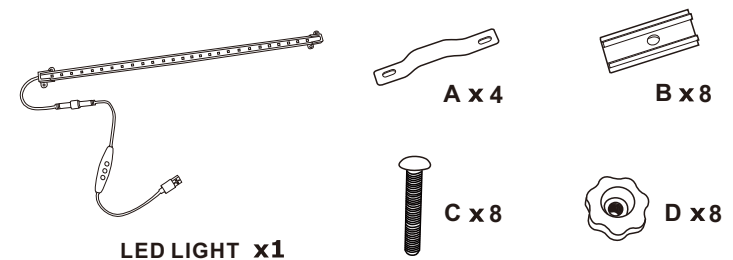
! NOTICE

- The fastening straps keep your Skycamp closed and make sure it does not open when driving. ALWAYS make sure that the hard shell is completely closed and the straps are securely fastened before driving.
- If you find it difficult to completely close the Skycamp, it may be due to excess bedding left inside the tent. In this case, remove some of the bedding and try again.
- Speed Limit: the recommended speed limit when having the Skycamp on your vehicle is 70 mph (110km/h). Driving speed should always be adjusted according to the current driving conditions, such as road type and quality, weather (wind conditions, rain), and applicable speed limits. Drive slowly on speed bumps and bumpy roads.

Product images in this manual are for illustrative purposes only and may differ from the actual product.

2. Accessories

IMPORTANT: WHEN MOUNTING THE SKYCAM ON YOUR VEHICLE, MAKE SURE THAT EACH BRACKET IS SECURELY FASTENED. FAILURE TO DO SO COULD CAUSE DAMAGE, INJURY OR EVEN DEATH



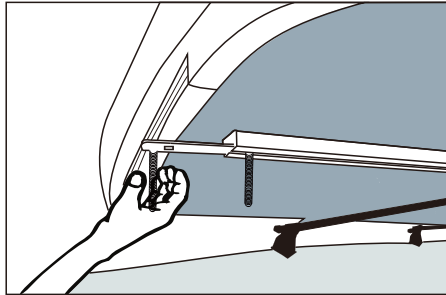
NOTE: apply lubricant to the bolts and nuts before tightening to reduce the risk of thread galling.

3. Application Method

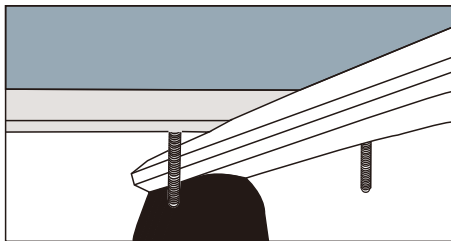
1. MOUNT THE TENT

1-a Take the top bracket [B] (with the square holes), and insert two bolts [C] according to the width of your cross bars.

1-b Insert top bracket [B] with the two bolts into the rail under the Skycamp:



1-c Have one person lift the Skycamp, while another person slides the piece over the cross bar, so that one bolt is on each side of the cross bar:

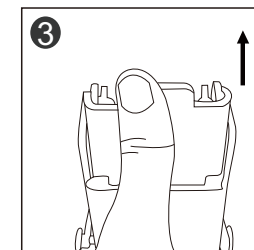
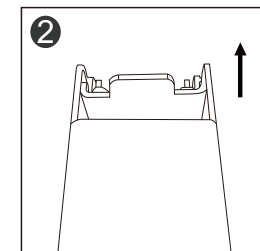
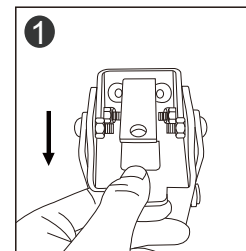


1-d Take the bottom bracket [A] (with the round holes), and fit it under your cross bar so that the bolts go through it.

5-d Tuck the excess material into the Skycamp on the front, back and side:



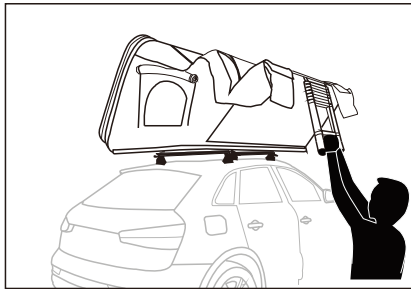
5-e Pull down on the hard shell, and pull up on the hard shell, find the right position, then press down with your hand and closed the lock system.



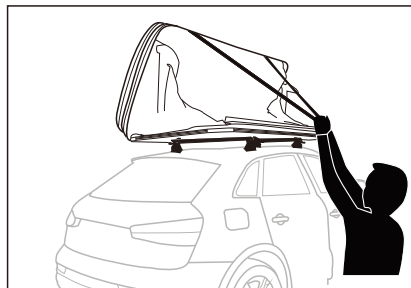
5. CLOSE THE TENT

WARNING: Before closing the Skycamp, you **MUST** unfasten the bungee cords that are attached under the panels. Leaving the cords attached puts stress on the tent and may cause the fabric to tear.

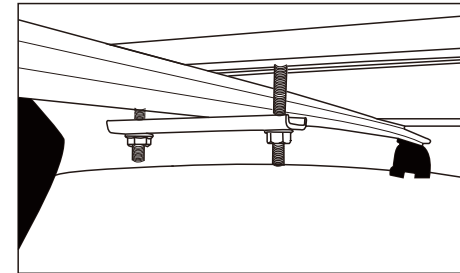
- 5-a** Retract the ladder, starting with the top steps. Make sure to press the release buttons with your thumbs and be careful not to get any fingers caught between steps.
- 5-b** Using the ladder, push the extension panel up and then into the Skycamp:



- 5-c** Reach into the Skycamp to grab the black nylon strap attached to the top of the shell. Pull down on the strap to close the hard shell:



- 1-e** Attach one nut [D] on each bolt [C], and tighten them using a 13mm spanner.
IMPORTANT: apply lubricant to the bolts and nuts before tightening to prevent thread galling.
- 1-f** Tighten the nuts until the bottom bracket [A] starts to bend slightly. Do **NOT** keep tightening after it has already started to bend as this will make it difficult to mount again in the future. See image below:

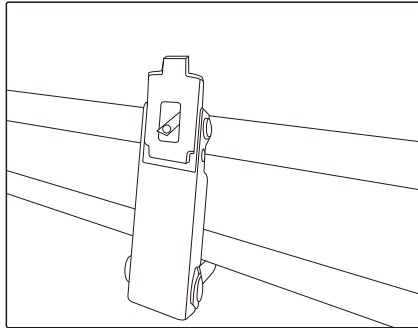


- 1-g** Repeat the procedure for the remaining 3 brackets.

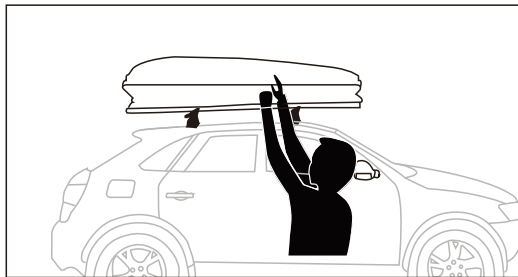
NOTE: check that the Skycamp is securely attached after a short distance, and thereafter at regular intervals. Tighten the mounting brackets whenever necessary

2. OPEN THE TENT

- 2-a** Unlock the hard shell locks and pull down the black metal case to release the whole parts.



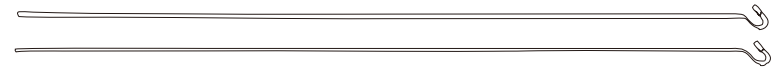
- 2-b** With one hand, push up the hard shell. The gas struts will allow it to open on its own



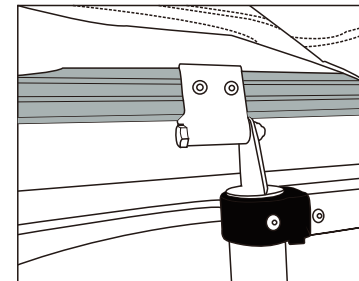
- 2-c** Once the top has fully opened, reach up and grab the base of the ladder.

4. ERECTING THE CANOPY

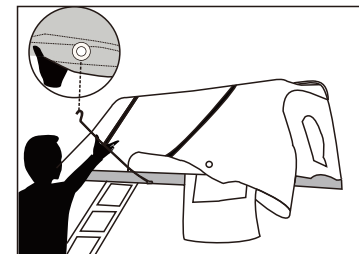
The canopy should be erected using the two steel rods included with your Skycamp:



- 4-a** Climb half-way up the ladder, take one rod, and insert the straight end into one of the holes located at the top of the ladder (pictured below). The rod should be inserted gently until you hear a “click” sound, and the hook at the top end of the rod should be facing down.

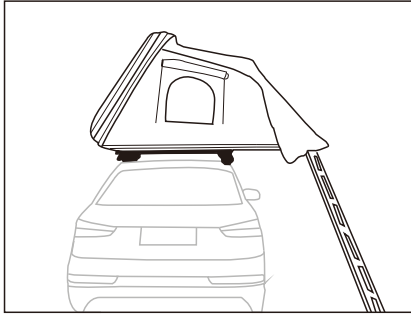


- 4-b** Hold the rod with one hand, and with the other grab the corner of the canopy and insert the rod’s hook, facing down, into the metal grommet.



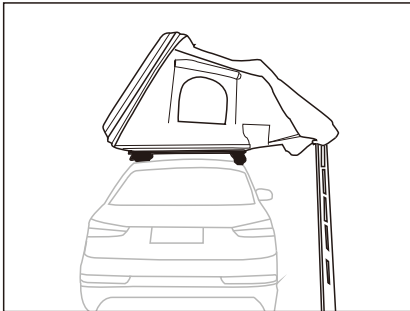
- 4-c** Repeat the process on the other side of the canopy.

• **CORRECT** installation:



The ladder should NOT be over-extended as it does not offer enough support, and is should not be too vertical either.

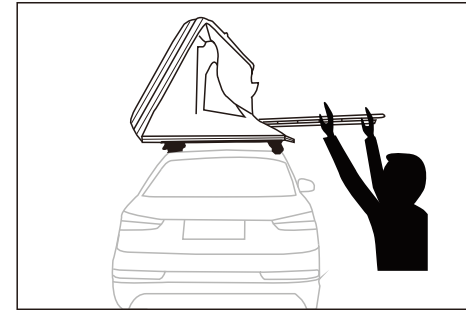
• **INCORRECT** installations:



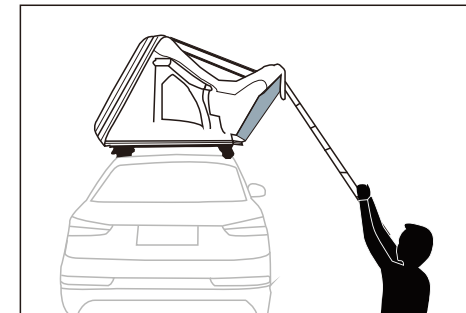
After the ladder has been securely installed, please follow the directions below while going up and down the ladder:

- Grab the sides of the ladder with both hands at all times.
- Take one step at a time.
- NEVER step on the top 2 steps when going up or down the ladder.

2-d Pull the ladder towards you, allowing it to extend completely
(NOTE: when you first use the Skycamp, you will first need to undo the velcro strap on the ladder)



2-e Push down on the ladder, as it acts as a lever and lowers the extension floor.



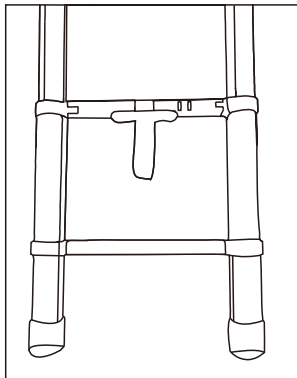
2-f After the extension floor has been lowered, securely install the ladder

3. INSTALLING THE LADDER

CAUTION: FAILURE TO PROPERLY SECURE THE LADDER COULD CAUSE DAMAGE AND SERIOUS INJURY. CAREFULLY READ THE INSTRUCTIONS BELOW BEFORE ATTEMPTING TO USE THE LADDER.

The ladder acts as the support for the Skycamp's extension panel. Always make sure the ladder is firmly planted in the ground, and each step is securely locked before going up the ladder.

- Make sure the base of the ladder is placed on even, solid ground.



If the terrain does not allow the ladder to have a stable, even base, move your vehicle to another spot. Do NOT install the ladder on uneven ground, or on rocks, sand, or mud.

Place the ladder at an approximate 70° angle as pictured below, and make sure it is firmly planted in the ground. The ladder should be able to offer support to the extension panel and the tent's occupants. The main panel (floor) and extension panel should be horizontal, with a small space between the two panels (the extension panel should be lifted up slightly higher than the main panel)

